



Boda7503

Multi-standard High-def. Decoder IP

The Multi-Standard High-Definition Video Decoder **Boda7503** is the highly optimized pre-configurable decode cores supporting **MPEG-2, H.264, VC-1, MPEG-4(DivX), RealVideo, AVS** and **(M)JPEG** to satisfy a wide range of video application from mobile to HDTV. Using a unique and optimal hardware architecture Boda7503 enable to meet stringent power and clock requirements at low silicon cost.

— Support Standards & Compliance

Standard	Standard Compliance
H.264	ISO/IEC 14496-10 AVC(H.264) BP, MP, HP@L4.1
MPEG-4	ISO/IEC 14496-2 MPEG-4 SP, ASP@L5.0
DivX	DivX High definition profile
H.263	ITU-T H.263(Annex I, J, K, T)
VC-1	SMPTE 421M-2006 VC-1 SP, MP, AP@L3.0
MPEG-2	ISO/IEC 13818-2 MPEG-2 MP@HL
RealVideo	RealVideo v.8/9/10(RMVB)
AVS	Jizhun profile@L6.2
Sorenson	Sorenson spark
MJPEG	ISO/IEC 10918 JPEG Baseline

— Performance

- Resolution & Frame rate:
up to Full HD(1080p 30fps / 1080i 60fps)
- HD decoding @ 133MHz
- MJPEG decoder 32MP/s(up to 4:4:4) @ 133MHz
- Required host processor resource to run : under 1 MIPS

— Features

- Simultaneous multi-standard/multiplex decoding
- CABAC/CAVLC for H.264 MP/HP
- Global motion compensation warp point1 for MPEG-4 ASP
- Built-in de-blocking, de-ringing filter and post-rotation/mirroring for post processing
- Error resilience tools
 - MPEG-4 : resync. Marker & Data-partitioning with RVLC
 - H.264 : FMO & ASO
- DivX High Definition Profile certifiable & Full Xvid compatibility
- Fully compatible with RV8/9/10 (RMVB) specification
- Dynamic clock gating for power saving
- Linear & Tiled macro-block map for bus efficiency*

Boda7503

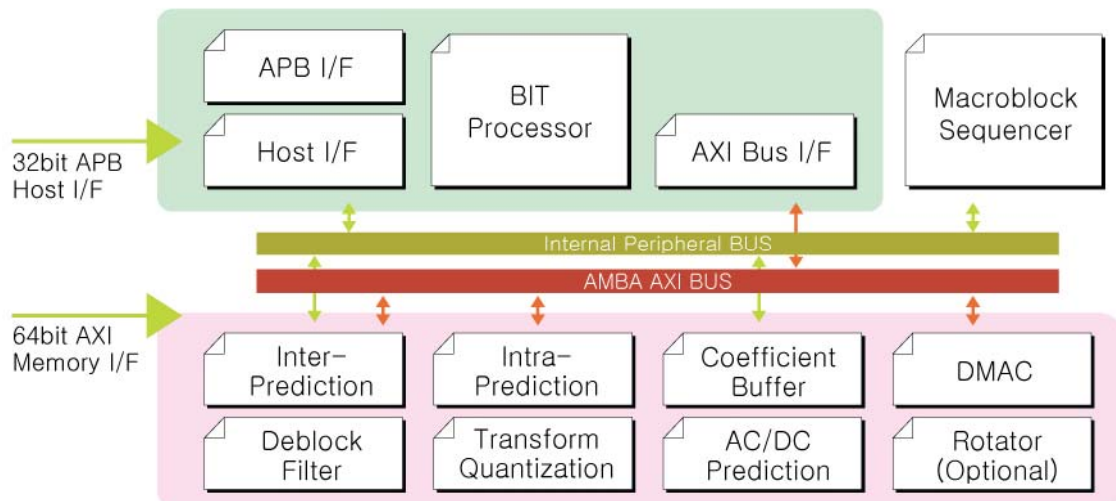


Multi-standard High-def. Decoder IP

Applications

- High definition digital TV (HDTV)
- HD set top box
- IPTV / IP-STB
- Blu-ray Player
- Portable Media Player

Internal Block Diagram



FPGA demonstration board Runs at 50MHz



+Headquarter+

+China Office+